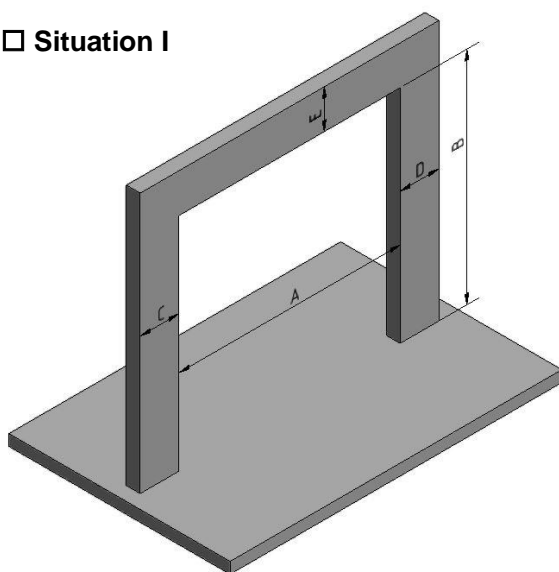


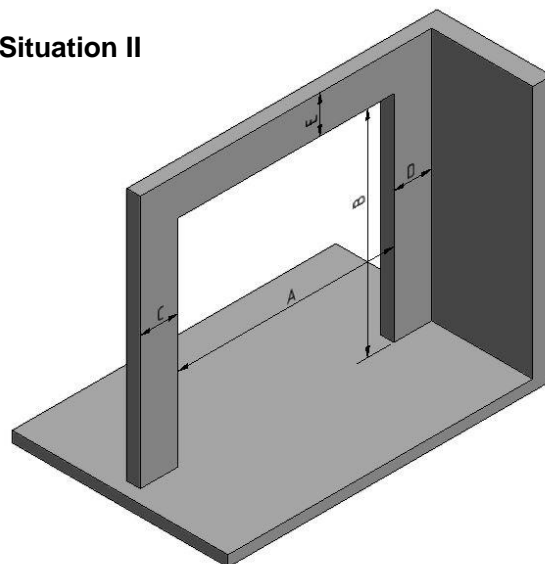
## MEASURING SHEET FOR BATOR FOUR-FOLD DOORS

	Dealer	Project
Company Name		
Address		
Phone / Mail		
Contact person		
Project ID		
Door Quantity		Date

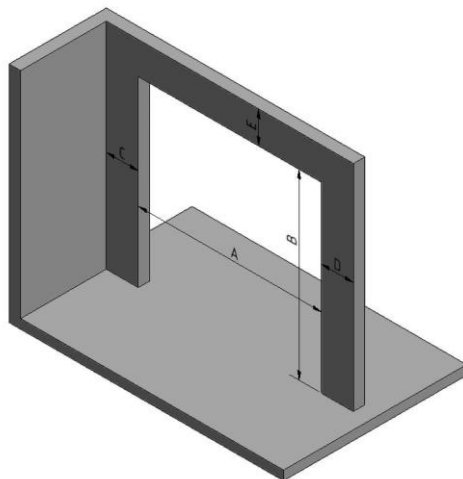
Situation I



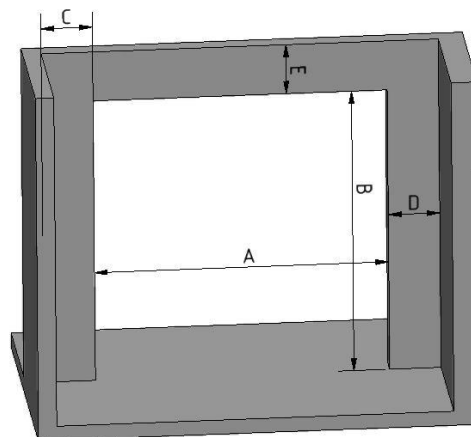
Situation II



Situation III



Situation IV

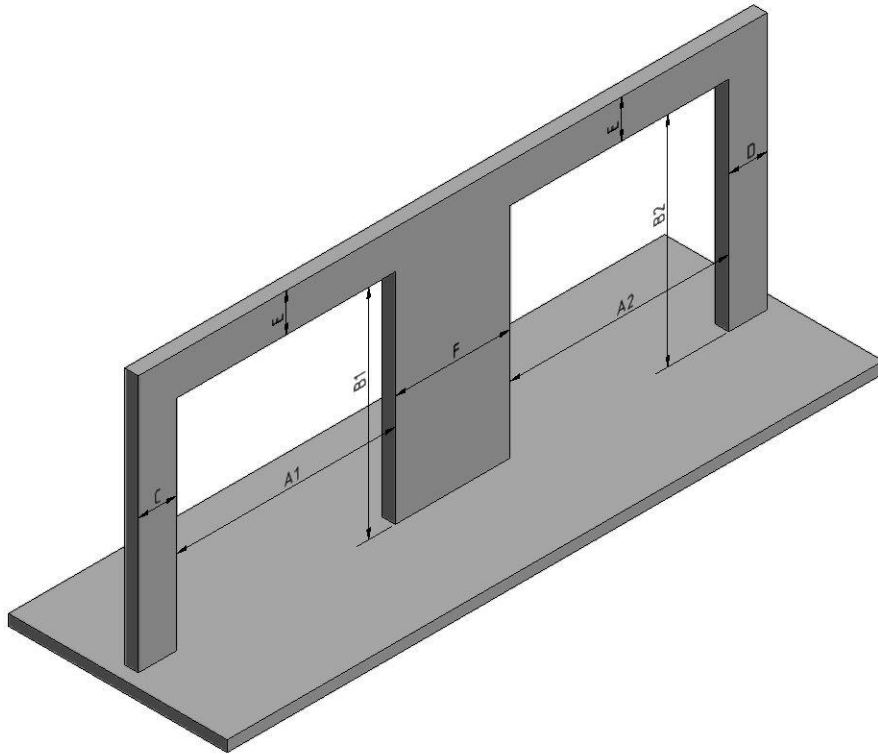


**World Headquarters**  
**BATOR Industrial Doors Ltd.**  
 Hofmattstrasse 14  
 CH-3360 Herzogenbuchsee  
 Tel. +41 (0)62 956 12 12  
 Fax +41 (0)62 956 12 13

**Branch (France)**  
**BATOR Portes Industrielles SARL**  
 6, rue Icare  
 F-67960 Entzheim

**North American Headquarters**  
 Bator North America, LLC  
 1451 South Elm-Eugene Str  
 Greensboro, NC 27406  
 Tel 336.907.2286  
 Fax 336.907.2287

Situation V



- Dimension A : \_\_\_\_\_ ft. \_\_\_\_\_ In.                      min. 10 ft.
- Dimension A1 : \_\_\_\_\_ ft. \_\_\_\_\_ In.                      min. 10 ft.
- Dimension A2 : \_\_\_\_\_ ft. \_\_\_\_\_ In.                      min. 10 ft.
- Dimension B : \_\_\_\_\_ ft. \_\_\_\_\_ In.
- Dimension B1 : \_\_\_\_\_ ft. \_\_\_\_\_ In.
- Dimension B2 : \_\_\_\_\_ ft. \_\_\_\_\_ In.
- Dimension C : \_\_\_\_\_ ft. \_\_\_\_\_ In.                      Classic : min. 1-1/2 ft. ; Hurricane rated : min. 2 ft.
- Dimension D : \_\_\_\_\_ ft. \_\_\_\_\_ In.                      Classic : min. 1-1/2 ft. ; Hurricane rated : min. 2 ft.
- Dimension E : \_\_\_\_\_ ft. \_\_\_\_\_ In.                      min. 1-1/2 ft.

Material :             Concrete             Brickwork             Timber             Other \_\_\_\_\_

**World Headquarters**  
**BATOR Industrial Doors Ltd.**  
 Hofmattstrasse 14  
 CH-3360 Herzogenbuchsee  
 Tel. +41 (0)62 956 12 12  
 Fax +41 (0)62 956 12 13

**Branch (France)**  
**BATOR Portes Industrielles SARL**  
 6, rue Icare  
 F-67960 Entzheim

**North American Headquarters**  
 Bator North America, LLC  
 1451 South Elm-Eugene Str  
 Greensboro, NC 27406  
 Tel 336.907.2286  
 Fax 336.907.2287